

MSM-506F Series *Available soon*

6-port Industrial Ethernet Layer 2 Managed Switch with 2-Fiber Port

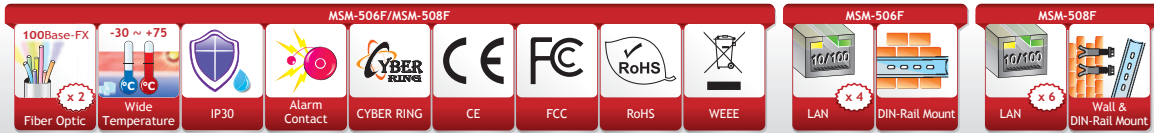
MSM-508F Series *NEW*

8-port Industrial Ethernet Layer 2 Managed Switch with 2-Fiber Port

MSM-506F Series



MSM-508F Series



Features ▶▶▶

- Automatic MDI/MDI-X crossover for plug-and-play
- Each port supports both 10/100 Mbps speed auto negotiation
- Full duplex IEEE 802.3x and half duplex backpressure flow control
- Supports wide operating temperatures from -30 °C ~ +75 °C
- Built-in Cyber-Ring redundant technique
- Redundant Dual Power Inputs +12 V_{DC} ~ +48 V_{DC}
Power failure alarm by relay output
- Modbus remote monitoring
- Supports Modbus OPC Server
- Store-and-forward architecture
- Frame buffer memory: 1 Mbit
- 2048 MAC addresses
- 3.2 Gbps high performance memory bandwidth
- DIN-Rail Mounting

Introduction

The MSM-506F/MSM-508F series is an 6-port/8-port Industrial Ethernet Layer 2 Managed Switch with 2-Fiber Port that secures data transmission by using fiber optic transmission to provide immunity from EMI/RFI interference. It is a perfect solution for applications where transmission must be protected from electrical exposure, surges, lightning or chemical corrosion.

It can be managed through RS-232 port via serial console or Ethernet port using telnet or Web browser. In addition, the switch supports a lot of powerful managed functions, such as 802.1Q Tag-based VLAN, Port-based VLAN, 802.1p QoS (Quality of Service), Port Trunking, Spanning Tree, Cable Testing and Port Mirroring.

Built-in ICP DAS Cyber-Ring technique enables multiple switches to be placed into a redundant ring. Typically the switch detects and recovers from a fiber or copper link failure within approximately 20 ms – for the majority of applications, it is seamless. Modbus/TCP, Modbus/RTU and OPC supported, SCADA application can monitor status of Ethernet and fiber port with Modbus or OPC protocol.

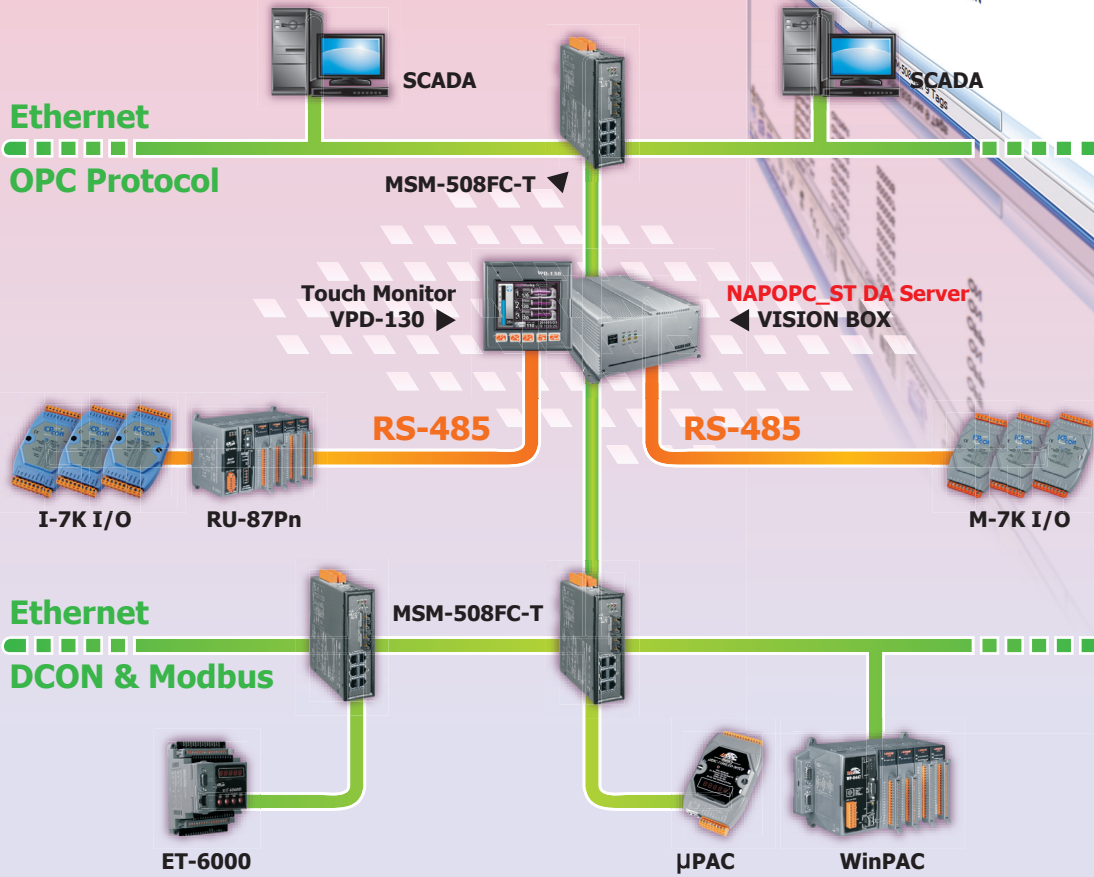
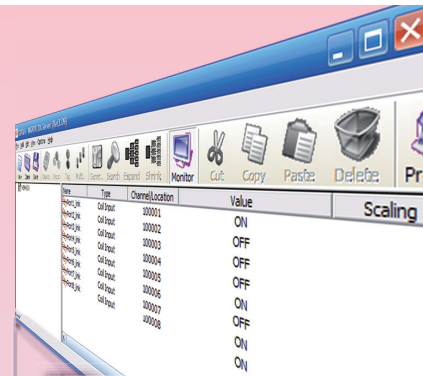
MSM-506F/MSM-508F provides two power inputs that can be connected simultaneously to live DC power sources. If one of the power inputs fails, the other live source will act as a backup to automatically support the it's power needs. And the relay output facility can deliver warning signal while power or network link failure.

 **Specifications**

| Models | MSM-506FC-T MSM-506FCS-T Series | MSM-506FT-T Series | MSM-508FC-T MSM-508FCS-T Series | MSM-508FT-T Series |
|---|--|---|---|-----------------------|
| Technology | | | | |
| Standards | IEEE 802.3, 802.3u and 802.3x | | | |
| Processing Type | Store & forward, wire speed switching | | | |
| MAC Addresses | 2048 | | | |
| Memory Bandwidth | 3.2 Gbps | | | |
| Frame Buffer Memory | 1 Mbit | | | |
| Flow Control | IEEE 802.3x flow control, back pressure flow control | | | |
| Protocol | VLAN, QoS, Port Trunk, SMTP, TELNET | | | |
| Interface | | | | |
| RJ-45 Ports | 4-port 10/100 Base-TX auto negotiation speed, F/H duplex mode, and auto MDI/MDI-X connection | | 6-port 10/100 Base-TX auto negotiation speed, F/H duplex mode, and auto MDI/MDI-X connection | |
| Fiber Optics Port | 2-port 100 Base-FX | | | |
| LED Indicators | 10/100M, Link/Act, Full duplex/Half duplex (Fiber Port) | | | |
| Ethernet Isolation | 1500 V _{rms} 1 minute | | | |
| Multi-mode | Multi-mode Fiber Cables | 50/125, 62.5/125 or 100/140 μm | | |
| | Distance | 2 km, (62.5/125 μm recommended) for full duplex | | |
| | Wavelength | 1300 or 1310 nm | | |
| | Min. TX Output | -20 dBm | | |
| | Max. TX Output | -14 dBm | | |
| Single-mode | Single-mode Fiber Cables | 8.3/125, 8.7/125, 9/125 or 10/125 μm | | |
| | Distance | 30 km, (9/125 μm recommended) for full duplex | | |
| | Wavelength | 1300 nm or 1310 nm | | |
| | Min. TX Output | -15 dBm | | |
| | Max. TX Output | -8 dBm | | |
| COM1 | RS-232 (TxD, RxD and GND); Non-isolated | | | |
| COM2 | RS-485 (D2+, D2-; self-tuner ASIC inside); Non-isolated | | | |
| Frame Ground for EMS Protection | Yes | | | |
| Digital Input/Output | | | | |
| Digital Input | - | | 3-channel, Wet Contact, L: +11 V _{dc} Max., H: +19 V _{dc} ~ +30 V _{dc} | |
| Digital Output | - | | 3-channel, Open Collector, Sink/NPN, 30V/100 mA Max. | |
| Power | | | | |
| Input Voltage Range | +12 V _{dc} ~ +48 V _{dc} Redundant Dual Inputs (Non-isolated) | | | |
| Power Consumption | 0.2 A @ 24 V _{dc} | | 0.3 A @ 24 V _{dc} | |
| LED Indicator | Yes | | | |
| Protection | Power reverse polarity protection | | | |
| Frame Ground for EMS Protection | Yes | | | |
| Connector | 6-Pin Removable Terminal Block | | 20-Pin Removable Terminal Block | |
| Mechanical | | | | |
| Casing | Metal | | | |
| Environmental Rating | IP30 Protection | | | |
| Dimensions (W x L x H) (Units: mm) | 25 x 131 x 168 | 25 x 131 x 168 | 47 x 140 x 175 | 47 x 142 x 175 |
| Installation | DIN-Rail Mounting | | DIN-Rail Mounting or Wall mounting | |
| Environmental | | | | |
| Operating Temperature | -30 °C ~ +75 °C | | | |
| Storage Temperature | -40 °C ~ +85 °C | | | |
| Ambient Relative Humidity | 10% ~ 90% RH, non-condensing | | | |
| Accessories | | | | |
| Included Cable | CA-090510 x 1 | | | |

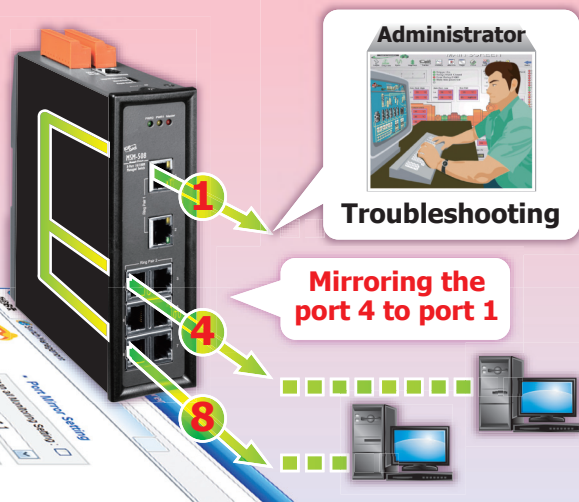
OPC Server

NAPOPC_ST DA Server is a free OPC DA Server (The "OPC" stands for "OLE for Process Control" and the "DA" stands for "Data Access") for ICP DAS products. NAPOPC_ST DA Server provides many benefits to users such as reduce time through lower system integration costs, integrate easily with plug-and-play SCADA/HMI/Database, connect and interoperate easily to custom applications, access to data by anyone in the automation hierarchy, reduce troubleshooting and maintenance cost, write to devices synchronously and asynchronously.

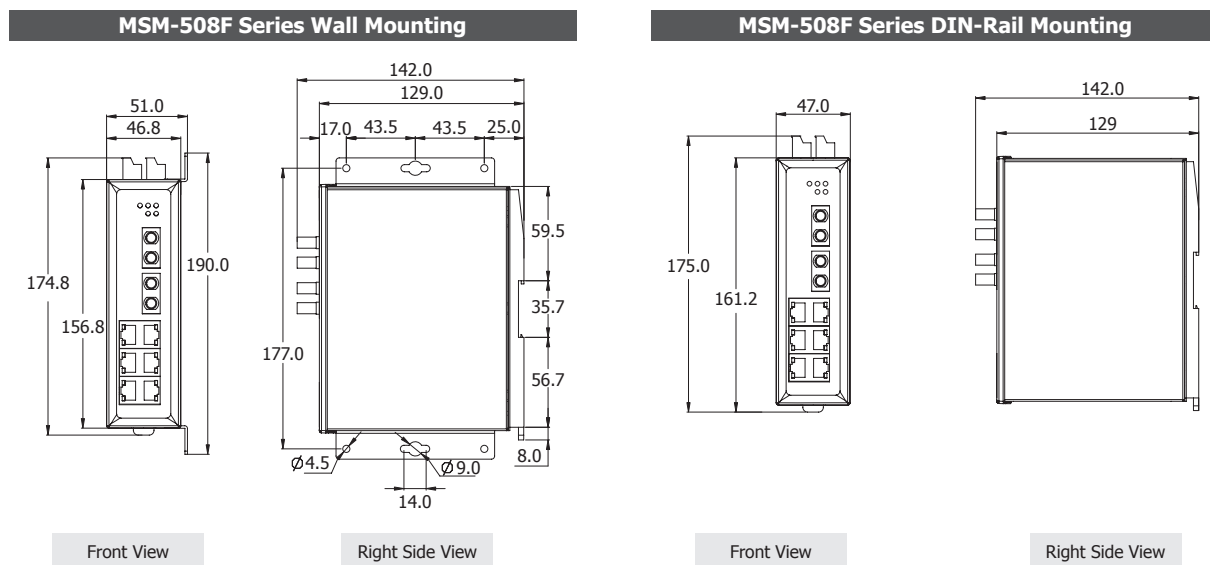
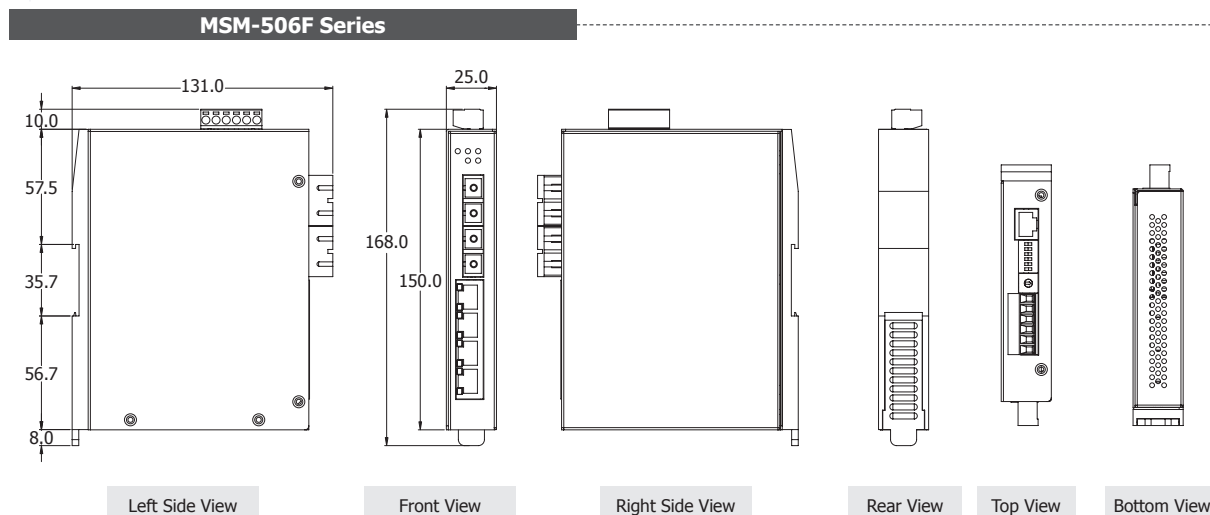


Port Mirroring

Port Mirroring is used on a network switch to send a copy of network packets seen on one switch port to a network monitoring connection on another switch port. This is commonly used for network appliances that require monitoring of network traffic, such as an intrusion-detection system. Network Engineers or Administrators use port mirroring to analyze and debug data or diagnose errors on a network. It helps the administrator keep a close eye on network performance and will alert them when problems occur. It can be used to mirror either inbound or outbound traffic on single or multiple interfaces.



Dimensions (Units: mm)



Ordering Information

| | |
|-------------------|---|
| MSM-506FT-T CR | 6-port Layer 2 Managed Switch with 2-Fiber Port, Multi-mode, ST Connector (RoHS) |
| MSM-506FC-T CR | 6-port Layer 2 Managed Switch with 2-Fiber Port, Multi-mode, SC Connector (RoHS) |
| MSM-506FCS-T CR | 6-port Layer 2 Managed Switch with 2-Fiber Port, Single-mode, SC Connector (RoHS) |
| MSM-506FCS-60T CR | 6-port Layer 2 Managed Switch with 2-Fiber Port, Single-mode 60 km, SC Connector (RoHS) |
| MSM-508FT-T CR | 8-port Layer 2 Managed Switch with 2-Fiber Port, Multi-mode, ST Connector (RoHS) |
| MSM-508FC-T CR | 8-port Layer 2 Managed Switch with 2-Fiber Port, Multi-mode, SC Connector (RoHS) |
| MSM-508FCS-T CR | 8-port Layer 2 Managed Switch with 2-Fiber Port, Single-mode, SC Connector (RoHS) |
| MSM-508FCS-60T CR | 8-port Layer 2 Managed Switch with 2-Fiber Port, Single-mode 60 km, SC Connector (RoHS) |

Accessories

| | |
|-----------|---|
| CA-090510 | 9-Pin Female D-Sub & RJ-45 Cable, 1 M Cable |
| MDR-20-24 | 24 V/1 A, 24 W Power Supply with DIN-Rail Mounting |
| MDR-60-48 | 48 V/1.25 A, 60 W Power Supply with DIN-Rail Mounting |
| DIN-KA52F | 24 V/1.04 A, 25 W Power Supply with DIN-Rail Mounting |
| DR-120-24 | 24 V/5 A, 120 W Power Supply with DIN-Rail Mounting |